

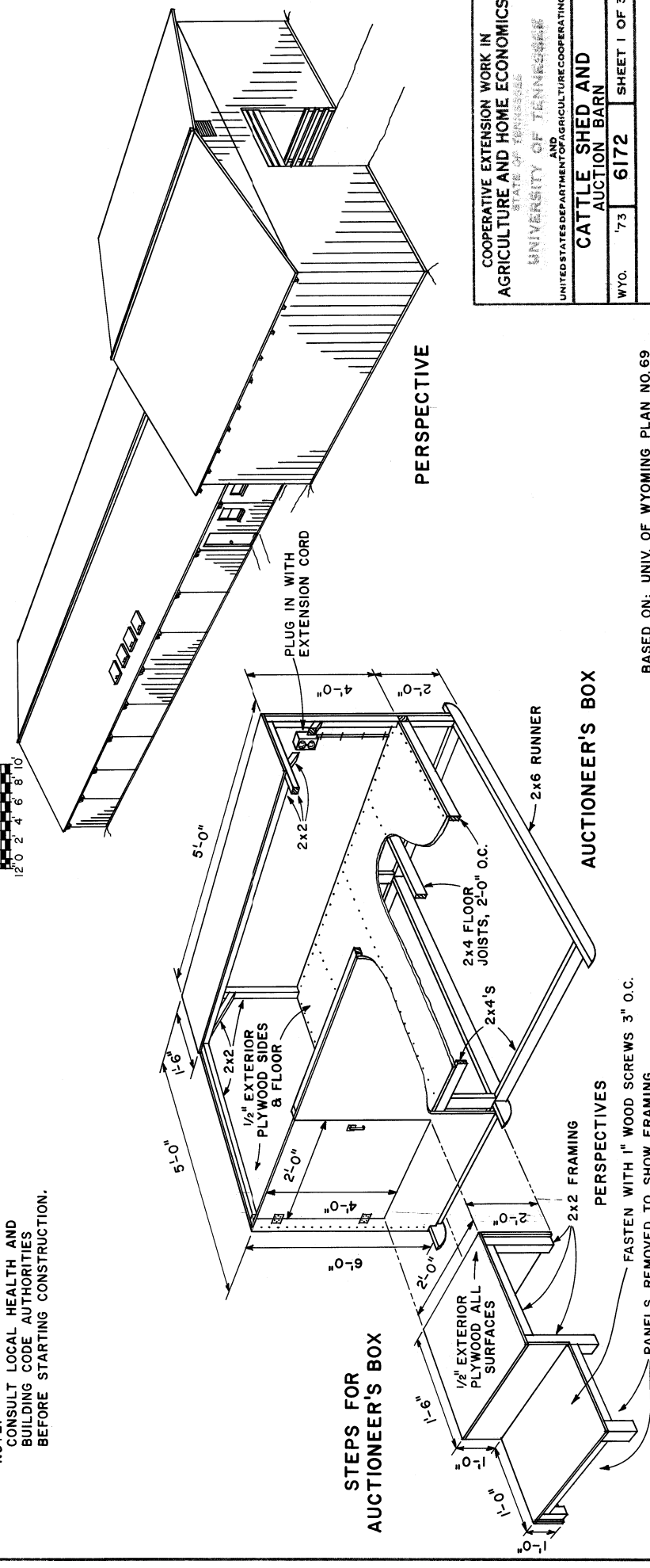
NOTE:
ALL POLES 6" TOP DIAMETER SET 4'-0" DEEP
AND PRESERVATIVE PRESSURE TREATED.

100'-0" SHOWN

SHED LENGTH CAN BE INCREASED IN 10'-0" UNITS

FLOOR PLAN

NOTE:
CONSULT LOCAL HEALTH AND
BUILDING CODE AUTHORITIES
BEFORE STARTING CONSTRUCTION.



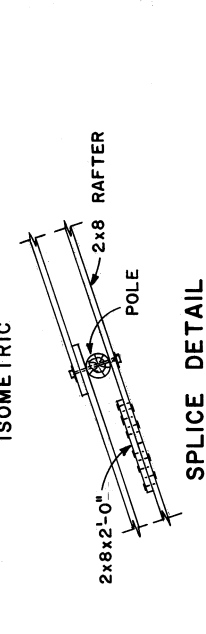
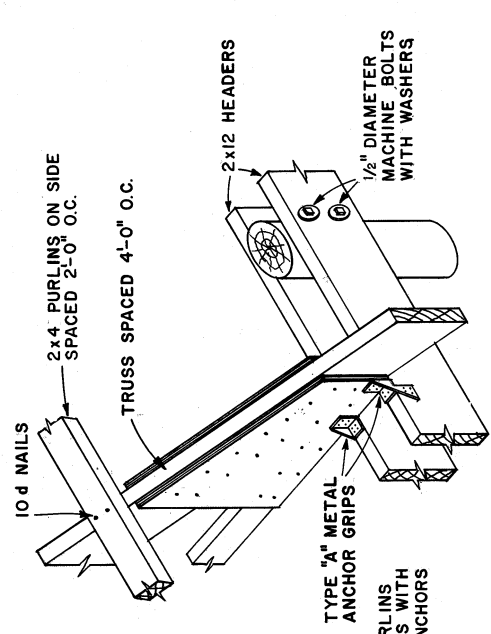
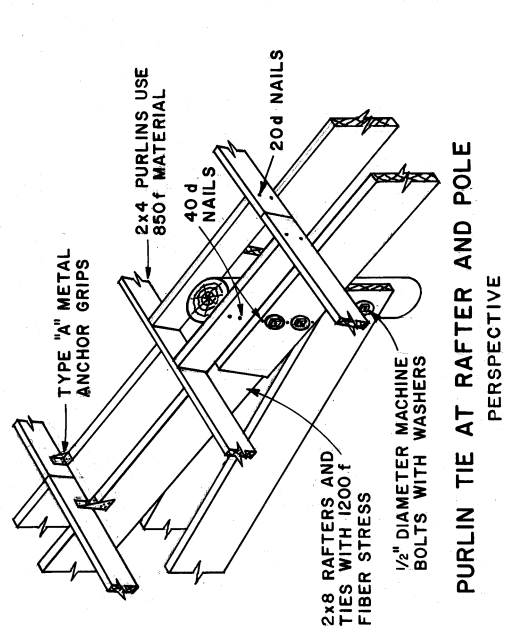
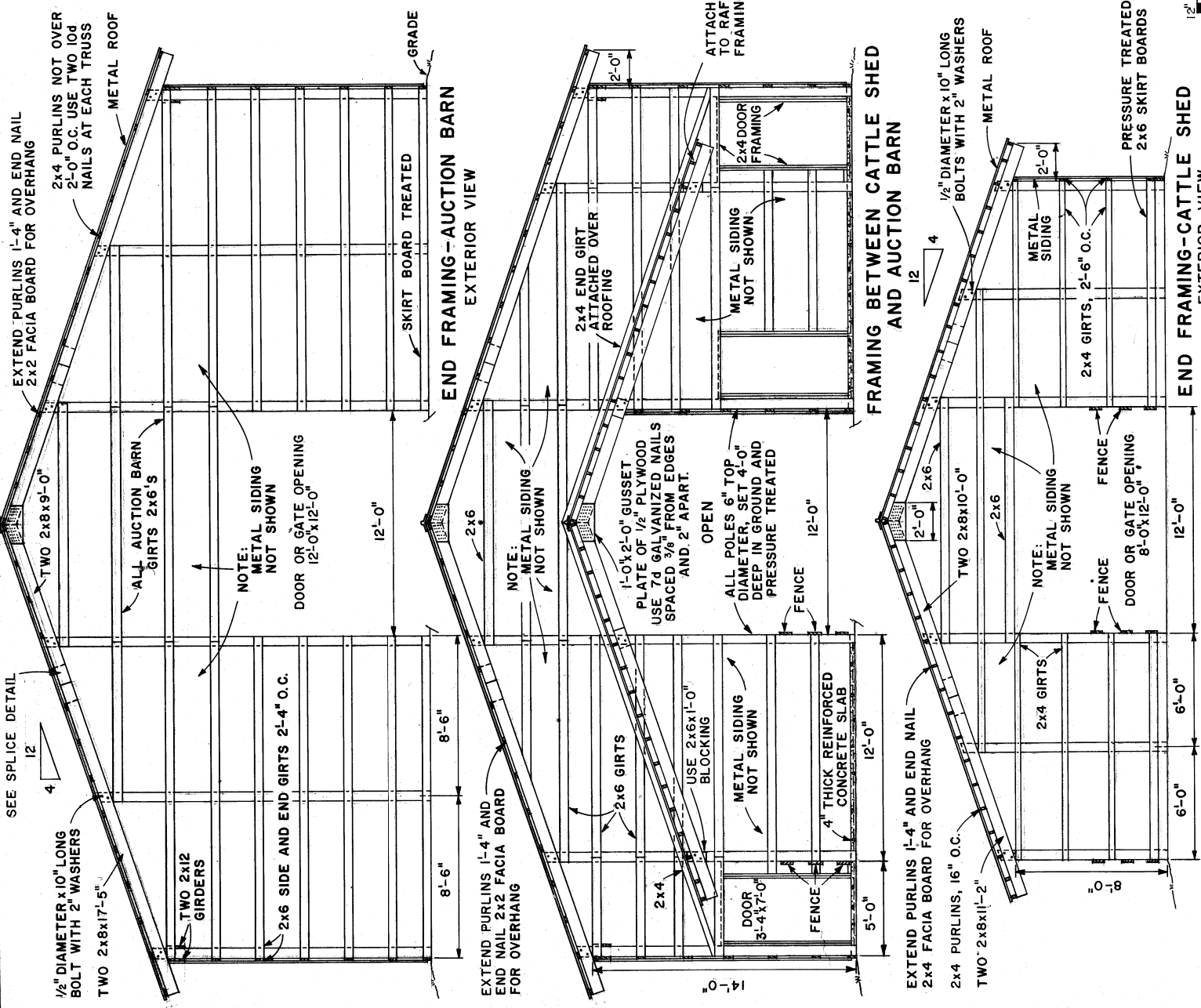
PERSPECTIVE

STEPS FOR
AUCTIONEER'S BOX

AUCTIONEER'S BOX

PERSPECTIVES

COOPERATIVE EXTENSION WORK IN AGRICULTURE AND HOME ECONOMICS STATE OF TENNESSEE UNIVERSITY OF TENNESSEE AND UNITED STATES DEPARTMENT OF AGRICULTURE COOPERATING	
CATTLE SHED AND AUCTION BARN	
WYO. '73	6172
SHEET 1 OF 3	



COOPERATIVE EXTENSION WORK IN
 AGRICULTURE AND HOME ECONOMICS
 STATE OF TENNESSEE
 UNIVERSITY OF TENNESSEE
 AND
 UNITED STATES DEPARTMENT OF AGRICULTURE COOPERATING

CATTLE SHED AND AUCTION BARN

WYO. '73 **6172** SHEET 2 OF 3



