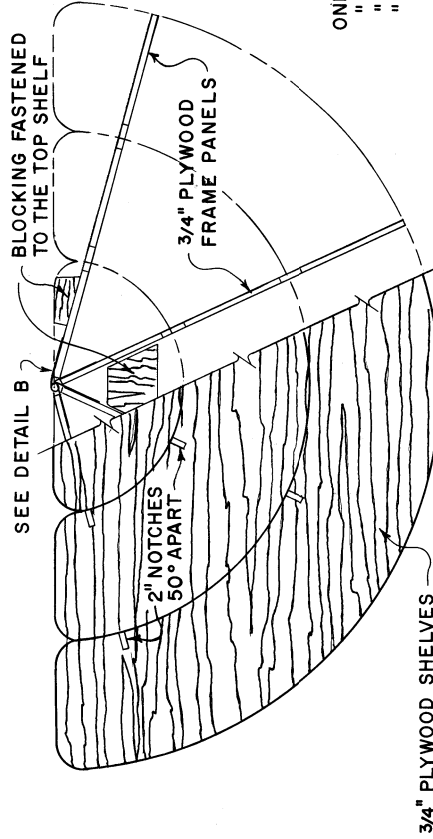


**TOP VIEW**  
SHELVES CUT AWAY

CARE IN LAYING OUT, CUTTING AND ASSEMBLY WILL MAKE THE FRAMES INTERCHANGEABLE

**TYPE I**

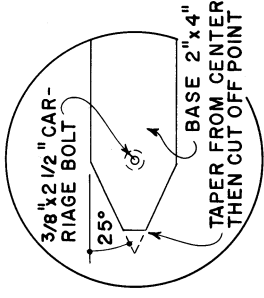


**TOP VIEW**  
SHELVES CUT AWAY

**TYPE II**

HEIGHT OF TYPE I MAY BE AS DESIRED, BUT HEIGHT OF TYPE II IS PLANNED TO PERMIT CUTTING THE FOUR FRAME PANELS FROM ONE SHEET OF PLYWOOD

USE EXTERIOR GRADE PLYWOOD SAND ALL EDGES AND SEAL WITH A WATERPROOF PENETRATING SEALER WATERPROOF GLUE IS REQUIRED

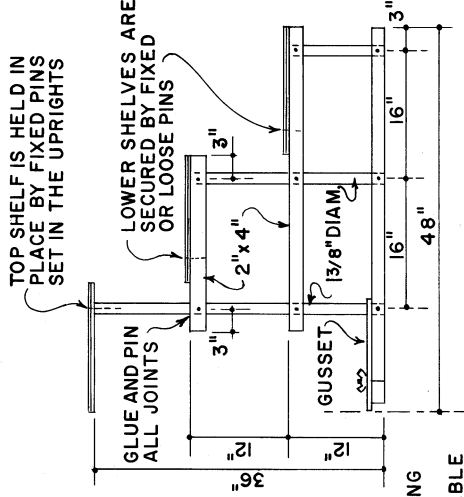


**DETAIL A**

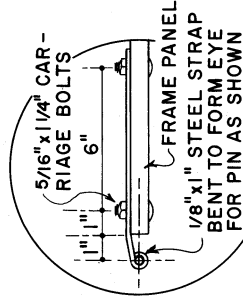
**MATERIALS**

ITEM	SIZE	NO.
PLYWOOD	1/2" x 4'-0" x 8'-0"	ONE
WOOD	2" x 4" x 4'-0"	FOUR
"	2" x 4" x 5'-0"	FOUR
"	1" x 8" x 8'-0"	ONE
"	1 3/8" D. x 6'-0"	FOUR

(FASTENINGS NOT INCLUDED)



**SECTION AT FRAME**

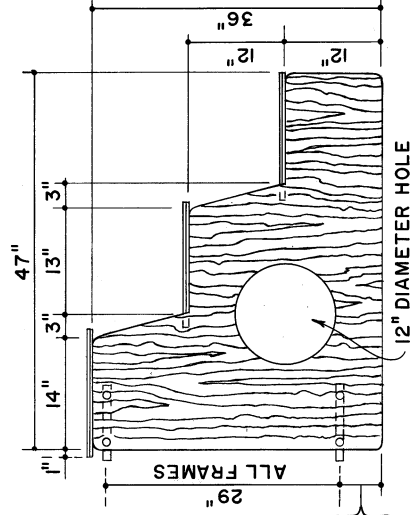


**DETAIL B**

**MATERIALS**

ITEM	SIZE	NO.
PLYW'D	3/4" x 4'-0" x 8'-0"	TWO
"	3/4" x 4'-0" x 8'-0"	OR ONE
PLYW'D	3/4" x 4'-0" x 8'-0"	ONE
"	1/2" x 4'-0" x 8'-0"	ONE
WOOD	1" x 8" x 10'-0"	ONE

(FASTENINGS NOT INCLUDED)



**SECTION AT FRAME PANEL**

SHELVES FOR TYPE II MAY BE OF 1/2" PLYWOOD IF 1" x 8" STIFFENERS ARE FASTENED UNDER THE BOTTOM SHELF, AS SHOWN FOR TYPE I