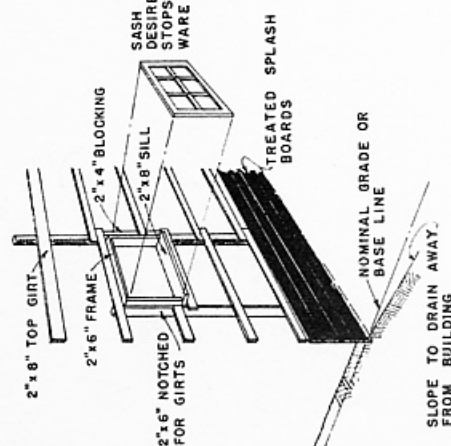
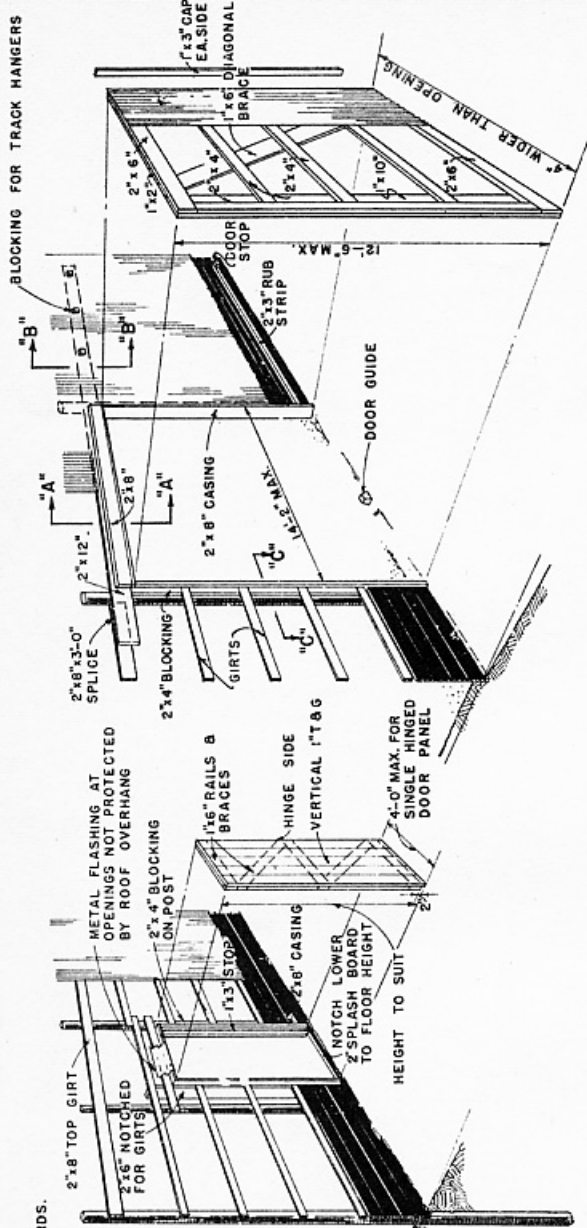


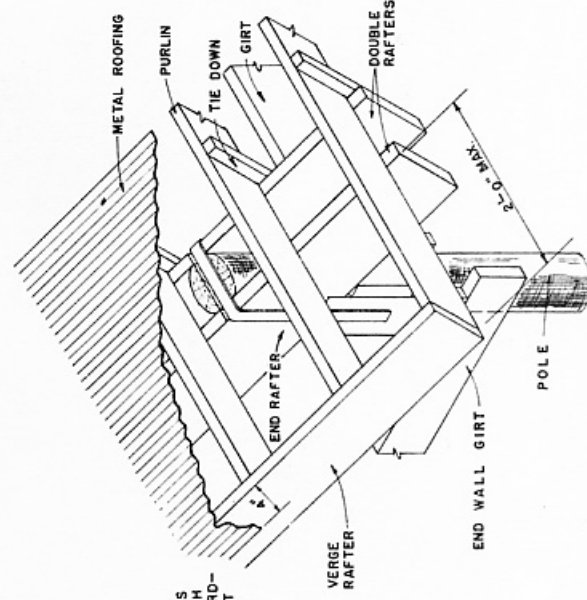
TYPICAL WALL CONSTRUCTION
(ROOF FRAMING NOT SHOWN)



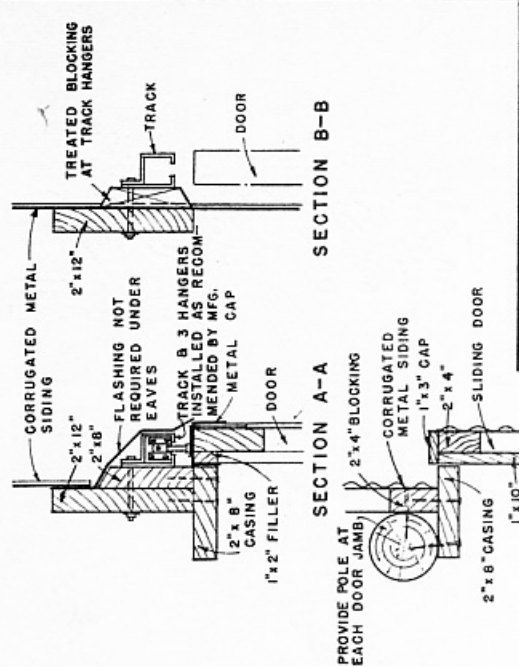
TYPICAL WINDOW
INSTALLATION



TYPICAL FRAMING
FOR SLIDING DOOR



TYPICAL FRAMING
FOR HINGED DOOR



SECTION A-A

SECTION B-B

SECTION C-C

NOTE: EQUIP METAL COVERED BUILDINGS WITH ADEQUATE LIGHTNING PROTECTION SYSTEM IN AREAS WHERE NEEDED. REFER TO FARMERS' BULLETIN NO. 1515, "PROTECTION OF BUILDINGS AND FARM PROPERTY FROM LIGHTNING" AS A GUIDE.

ROOF OVERHANG AT ENDWALL (DOUBLE RAFTERS & PURLIN CONSTRUCTION SHOWN) WHEN SHEATHING IS USED INSTEAD OF PURLINS IT MAY BE EXTENDED IN SIMILAR MANNER. PROVIDE BLOCKING BETWEEN END & VERGE RAFTERS IF OVERHANG EXCEEDS 12\".